

OTHER INFORMATION

This leaflet is only a brief introduction and the successful husbandry of all livestock depends on being well informed about them. The BWA Bookshop sells a number of specialist publications which cover all aspects of keeping both Wildfowl and Domestic Waterfowl. All new keepers are strongly advised to obtain a book appropriate to their interest.

Leaflets in this series available from the BWA Secretary price 25p each.

Starting to keep Wildfowl

Keeping Wildfowl - Geese

Keeping Wildfowl - Perching Ducks

Keeping Wildfowl - Whistling Ducks

Starting to keep Domestic Ducks

Starting to keep Domestic Geese

Breeds of Domestic Duck

Starting to Show Domestic Waterfowl

Pond Construction

Ailments and Remedies

Plants for Ponds and Pens

Incubation of Waterfowl Eggs

Illustrations by M. Roberts

PREDATOR CONTROL

INFORMATION LEAFLET

TRAPPING

There is little more soul destroying than coming out one morning and finding your precious birds lying around dead or half-buried after a visit from a fox. Although this is the main predator, there are others such as badgers, cats and dogs, crows and magpies.

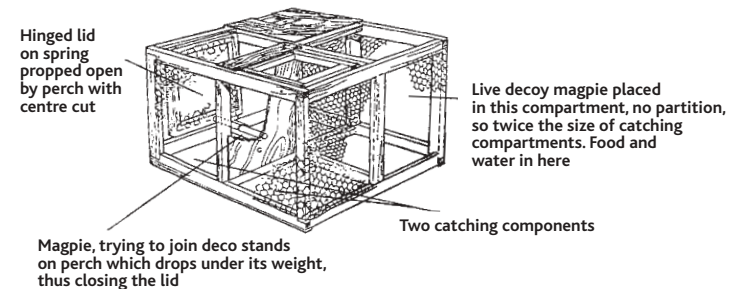
Small predators like rats, mink, squirrels, stoats and weasels will always get in unless you build an enclosed aviary, but they can be dealt with by trapping. There are three main types of predator which can be trapped:

- crows and magpies,
- foxes and rats,
- mink, stoats and weasels.

Don't forget: always wear a pair of old gardening gloves when you are trapping, as the scent of human hands lingers for days.

CROWS AND MAGPIES

These can be caught in a Larsen trap. These are available from most game-bird suppliers, and are very effective in getting rid of magpies and crows, especially if a call bird is used.



British Waterfowl
Association

Conservation | Education | Preservation



For further information about the BWA contact:

BWA Secretary, Mrs Sue Schubert, PO Box 163
Oxted, RH8 0WP
01892 740212

Email: info@waterfowl.org.uk

For BWA Bookshop contact:

Mrs V J Anderson, Pond House, Upper
Chelworth, Cricklade Wilts SN6 6HD
Email: books@waterfowl.org.uk

Registered Charity No. 263156

British Waterfowl
Association

Conservation | Education | Preservation



The trap works on the principle of a new bird invading the territory of the existing birds. They fly down to investigate, land on the trap perch and are caught. For the best results it is advisable to use a magpie call bird from several miles away. Incidentally, this trap will catch crows if set in a crow's territory i.e. under one of their nests. The call bird must have water and be fed daily. The food can vary from hen eggs to pieces of rabbit or pigeon or some tinned dog food. The trap must be attended to each day and regularly moved to a new position. Trapping times mainly correspond to the breeding season, from early March to April and again in June to catch fledgling magpies. It is not uncommon to catch a complete family in this way.

FOXES

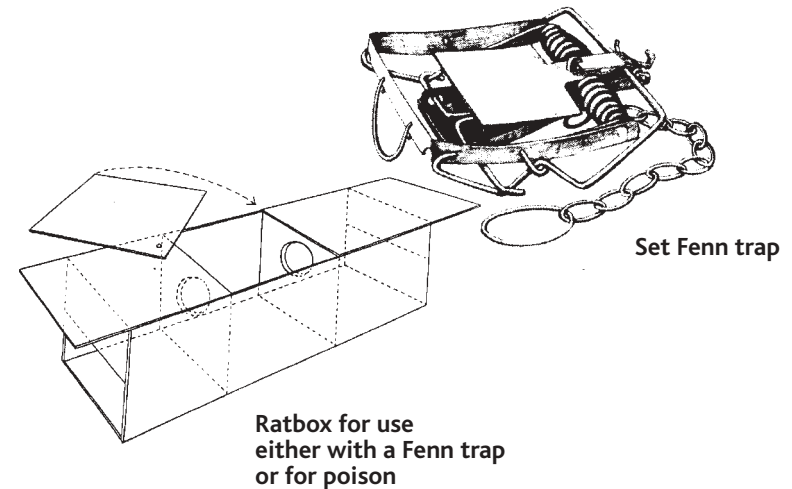
These can be caught in a live-catch, weld-mesh box-trap using a dead bait of an opened chicken or rabbit. It can be set anywhere but is best near to outbuildings or poultry sheds. Use straw or hay round the entrances to the trap and inside as well. You will have to check it daily, particularly early in the morning. The animal should be dispatched quickly and humanely by an experienced person. This trap is sometimes not so successful in rural areas.

RATS, MINK, STOAT AND WEASELS

Rats are attracted by food, eggs and young ducklings. Mink will kill anything at any time of year. Stoats and weasels are mainly a problem when they are feeding young and will take eggs, ducklings and goslings. The best plan is to organise a number of strategically placed tunnel traps containing Fenn Mark 4 traps round the outside of the enclosure to catch any of these predators before they have a chance to get inside. If necessary, you can use some live-catch cage-traps in the enclosure as well, hoping you don't get too many of your own inquisitive birds at the same time! (This is why you use live-catch traps here.) A trap in a box is also effective. Use maize or corn as bait for rats, and anything fishy for mink.

Rats are a nuisance all the year round but especially in the autumn when they come in from the fields to look for shelter and food. Mink will strike at any time and, like the fox, will kill for the sake of killing. They normally hunt in small groups so, if you catch one in an outlying trap, there are likely to be more. It is possible to use poison boxes for rats, but it is best to do this outside the enclosure.

The outlying tunnel traps are worth spending a little time on as they will be working continuously and must be checked at least once a day. They can be built of wood, stone, bricks or soil and turf. They should provide what looks like a safe haven for ground vermin to run into and out of at



the other end - the theory being that most rats or mice don't like to linger too long in the open. Traps near gateways work well, so, using some drainage pipe at each end, build up a tunnel with a space in the middle inside for the trap to work in. The tunnel must be above the water table and accessible only to vermin. Try to make the surrounding area look as natural as possible with a nice wide mouth leading to the entrance. Bring the chain attached to the trap through the wall of the tunnel and peg it to the ground outside. Use a slate or tile as a lid over the top so you can gain access when you want to remove the trap. You should be able to see at a glance if you have caught anything when you bend down and look along the tunnel. This is important if you are trapping near a public right of way or are open to the public gaze. If the trap is set properly it will kill every time. When you are re-setting it, don't forget to flick the safety catch off before replacing the cover over the top.

Compiled with advice and diagrams from Michael Roberts.